

PRODUCT INFORMATION PACKET

Model No: 048C34S24
Catalog No: O012
1/5,3450,SEMI,48N,1/60/115/230
Single Phase



Regal and Marathon are trademarks of Regal Beloit Corporation or one of its affiliated companies.

©2018 Regal Beloit Corporation, All Rights Reserved. MC017097E



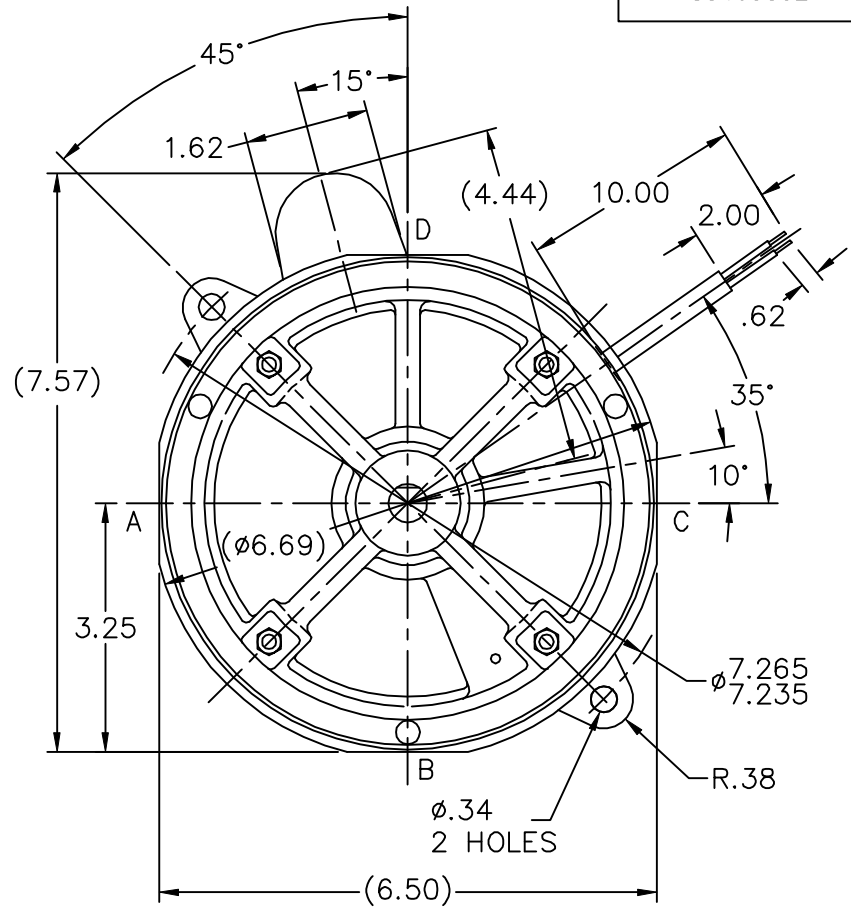
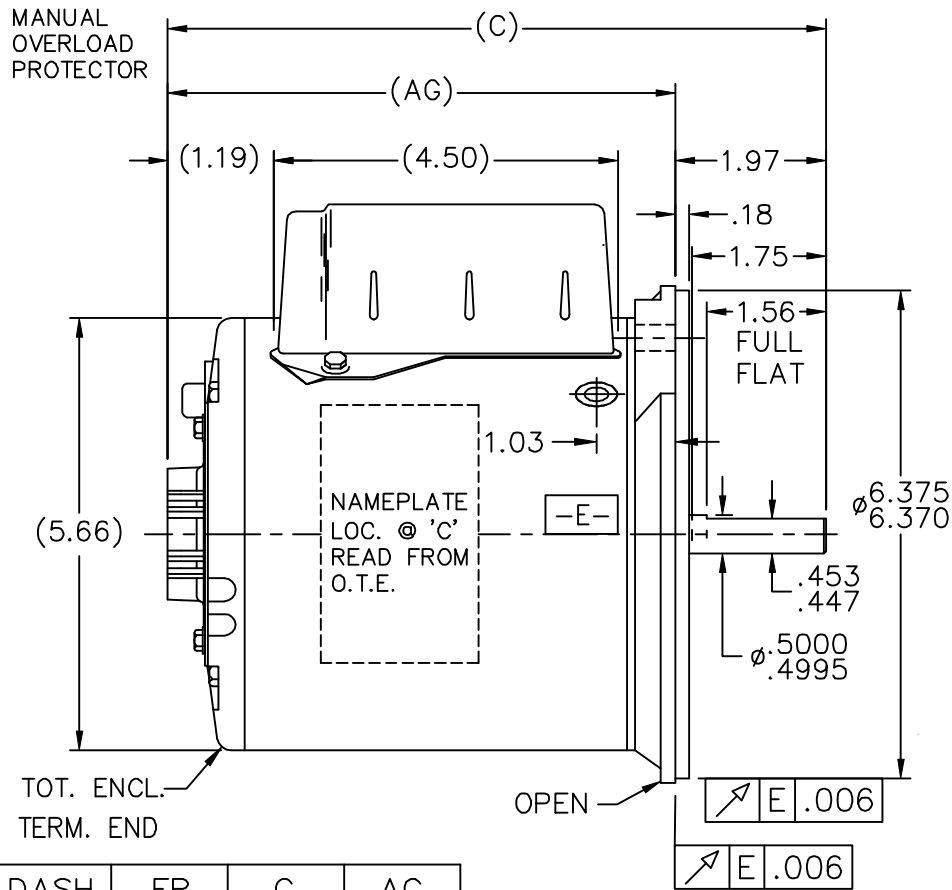


Nameplate Specifications

Output HP	0.20 Hp	Output KW	0.15 kW
Frequency	60 Hz	Voltage	115/230 V
Current	3.0/1.5 A	Speed	3450 rpm
Service Factor	1	Phase	1
Efficiency	61 %	Duty	Continuous
Insulation Class	B	Design Code	NO DESIGN CODE
KVA Code	L	Frame	48N
Enclosure	Semi Enclosed	Overload Protector	Manual
Ambient Temperature	40 °C	Drive End Bearing Size	6203
Opp Drive End Bearing Size	6203	UL	Recognized
CSA	Y	CE	N
IP Code	10		

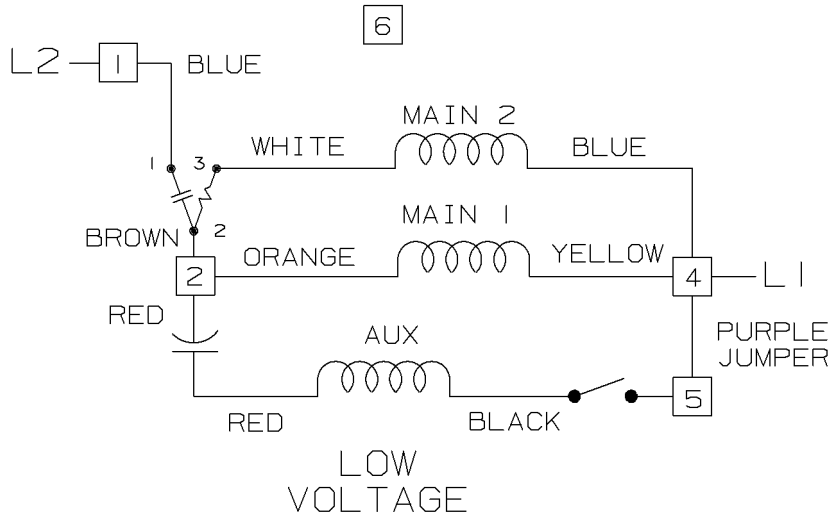
Technical Specifications

Electrical Type	Capacitor Start Induction Run	Starting Method	Across The Line
Poles	2	Rotation	Selective Clockwise
Mounting	Round	Motor Orientation	Horizontal
Drive End Bearing	Ball	Opp Drive End Bearing	Ball
Frame Material	Rolled Steel	Shaft Type	NEMA 48
Overall Length	8.35 in	Frame Length	4.75 in
Shaft Diameter	0.500 in	Shaft Extension	1.97 in
Assembly/Box Mounting	F1 Only		
Outline Drawing	A-SS403832-475	Connection Diagram	A-EE9002AK

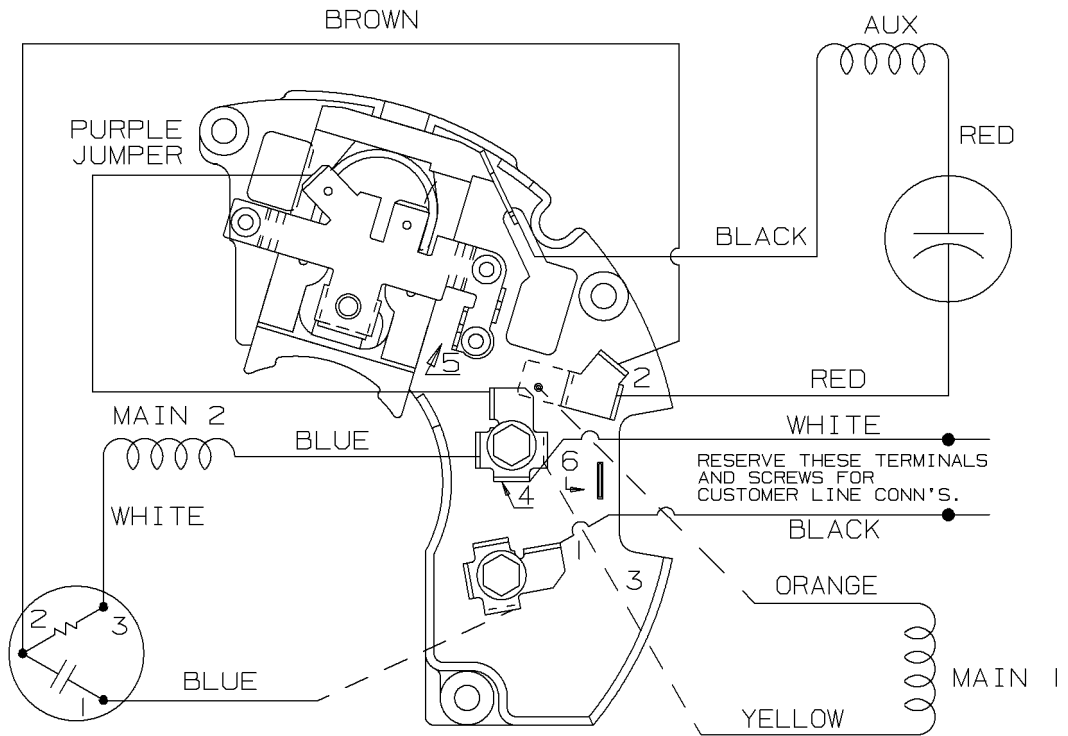


DASH	FR	C	AG
425	48	7.85	5.88
475	48	8.35	6.38
500	48	8.60	6.63
525	48	8.85	6.88

NO.		REVISION	BY & DATE	CHK	ANG	TOLERANCES UNLESS SPECIFIED		DRAWN SP 02-08-2009			
						DEC. INCHES			CHK NB 02-08-2009		
						.X ±.1	TITLE OUTLINE 48 FR. MAT'L. FINISH	APPD SP 02-08-2009			
						.XX ±.03		SCALE 7=16			
						.XXX ±.005		REF SS74431			
						.XXXX ±.0005		FMF 08-2130			
						±7'30"		PREV			
THIS DRAWING IN DESIGN AND DETAIL IS OUR PROPERTY AND MUST NOT BE USED EXCEPT IN CONNECTION WITH OUR WORK ALL RIGHTS OF DESIGN AND INVENTION ARE RESERVED THIS IS AN ELECTRONICALLY GENERATED DOCUMENT - DO NOT SCALE THIS PRINT				RFP	02-08-2009	CAD FILE	SS403832	SIZE A	DRAWING NO. SS403832	PAGE OF	REV.
				DIST	WP						

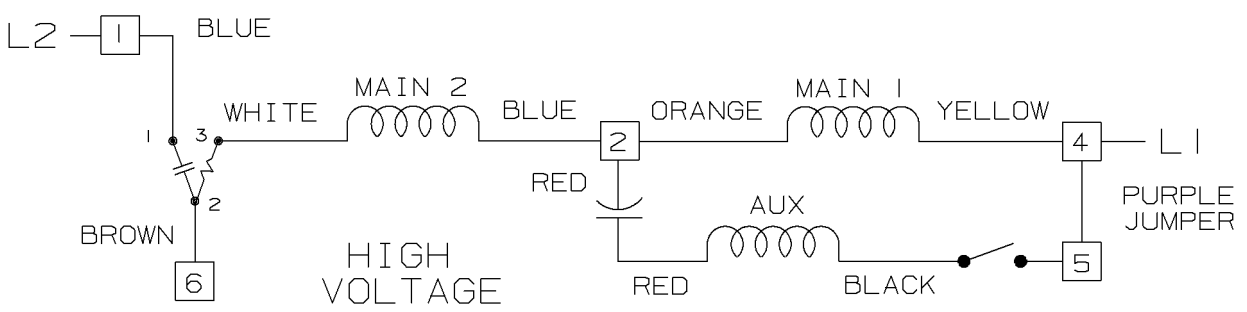


DUAL VOLTAGE CAPACITOR START REVERSIBLE ON TERM BOARD WITH OVERLOAD PROTECTION



VIEWING TERM END

LOW VOLTAGE CCW ROTATION SHOWN.



FOR HIGH VOLTAGE CONNECT BROWN TERM 2 TO TERM 6. CONNECT BLUE TERM 4 TO TERM 2.

TO REVERSE ROTATION EITHER VOLTAGE INTERCHANGE RED LEAD WITH PURPLE LEAD.

				✓ MAX. SURFACE ROUGHNESS UNLESS NOTED OTHERWISE	UNLESS OTHERWISE SPECIFIED DIMENSIONS ARE IN INCHES TOL. ON XX±.02 XXX±.005 XXXX±.0005 ANGLES± 7'30"			
				MATL SPEC				DRAWN BY MRB 10-10-1994
				FINISH	MARATHON ELECTRIC			CHKD BY ML 10-11-1994
1	10-13-1994	NEW DRAWING	CN 18892	MRB	WAUSAU, WISCONSIN 54401			APPD BY GK 10-11-1994
REV	DATE	CHANGE	NAME	PART NAME CONNECTION DIAGRAM 48 FR.				DRWG NO A-EE9002AK

SHOP BOOK

PURCHASED

DISTRIBUTION - WA - LB - WP - LM - BR

CADD FILE NO.

EE9002AK

